



ASSEMBLY GUIDE

SLAB NOSE RAILING

ORDER CONFORMITY

We advise you to read this manual completely and carefully before working on the equipment.

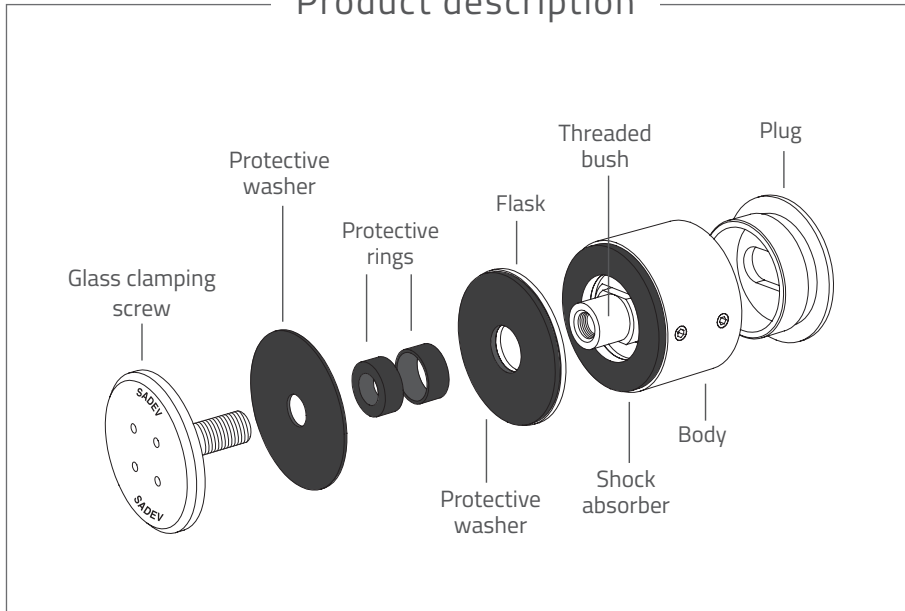
Using the delivery note, check the conformity of the delivery before any other intervention.

ACTIVATE YOUR PRODUCT WARRANTY

Register directly on our website
www.sadev.com/maintenance-and-warranty



Product description



Tools required for assembly

- **MEASURING TOOLS** (meter)
- **DRILLING OR PERFORATING MACHINE**
- **ALLEN KEY** (2.5mm)
- **TORQUE WRENCH FOR CONTROLLED TIGHTENING**
Ref : CLE-DYN-ENT-26
- **POSITIONING ADJUSTMENT EQUIPMENT** (bubble level/ laser/ level ruler/ etc.)
- **HANDLING / LIFTING EQUIPMENT** (ladder/ scaffolding/ etc...)

SUMMARY

| | |
|--|-----------|
| Product description | 2 |
| Tools required for assembly..... | 2 |
| A DRILLING AND FIXING OF PLUGS | 4 |
| B BODY ADJUSTMENT | 7 |
| C INSTALLATION OF PROTECTIONS | 10 |
| D INSTALL THE GLASS PANEL..... | 11 |
| E TIGHTENING THE CLAMPING SCREWS..... | 12 |

These installation instructions are valid for the following references:

| | | | |
|---------------------------|------------------------------|------------------------------|-----------------|
| <i>Inox 304 (Inside):</i> | <i>Inox 316 (Extérieur):</i> | <i>Color finish options:</i> | |
| Ref. 000110 | Ref. 000110A4 | Ref. 000110N | Ref. 000110CU-B |
| Ref. 000110-31 | Ref. 00011031A4 | Ref. 000110CH | Ref. 000110OR |
| | Ref. 00011031A4N | Ref. 000110CH-B | Ref. 000110OR-B |
| | | Ref. 000110CU | |

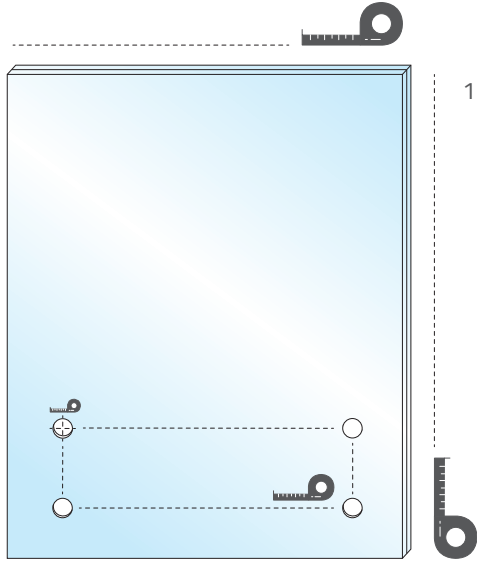
RECOMMANDATIONS

The installation of the fixing points must comply with these installation instructions, as well as with the usual safety precautions.

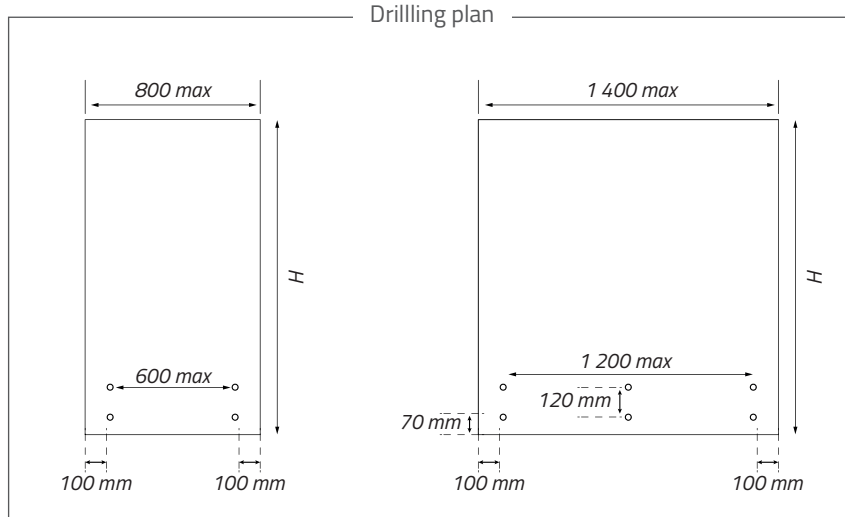
All modifications or degradations of the products of the SADEV company disengage the responsibility of our company.

Glazing not provided.

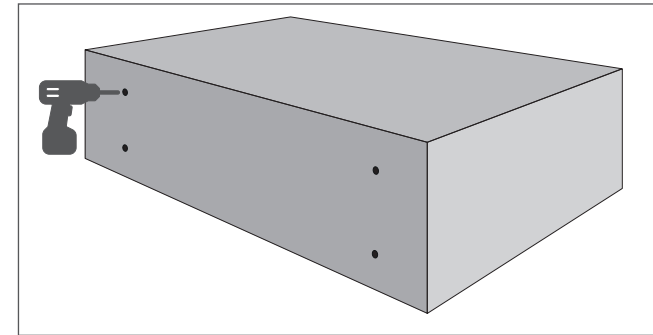
A DRILLING AND FIXING OF PLUGS



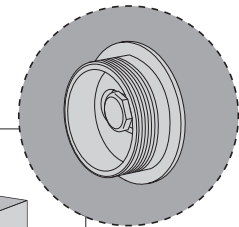
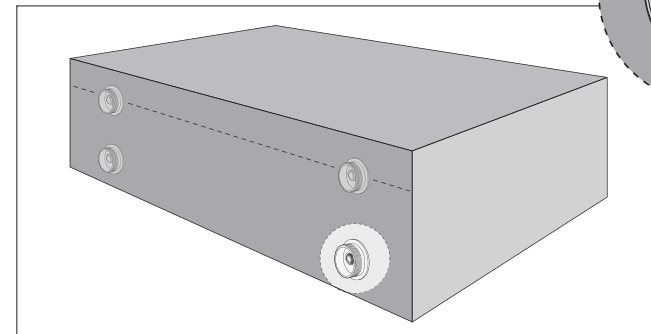
1 - Check the dimensions of the glazing, the centre-to-centre distances and the diameter of the holes.



A DRILLING AND FIXING OF PLUGS



2 - Trace and drill the fixing centres using a drill/puncher (M12 screws).
Adapt your drilling tool according to your support.

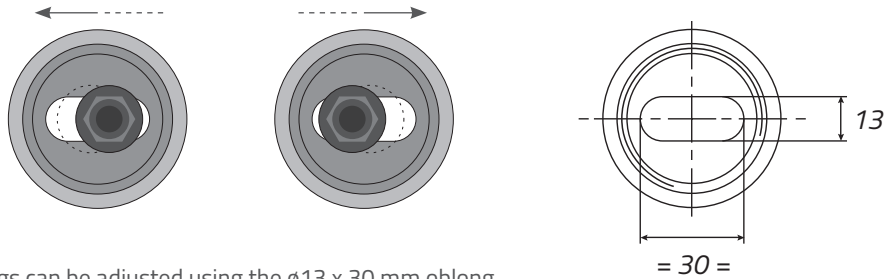


3 - Fitting the plugs using the $\varnothing 12$ mm fastener (not supplied by Sadev).

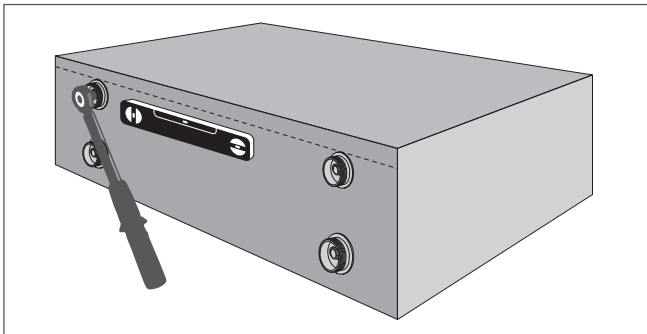


In order to prevent any slipping, we recommend the fixing of at least two plugs with the oblong end positioned horizontally at the extremities of the glazing.

A DRILLING AND FIXING OF PLUGS



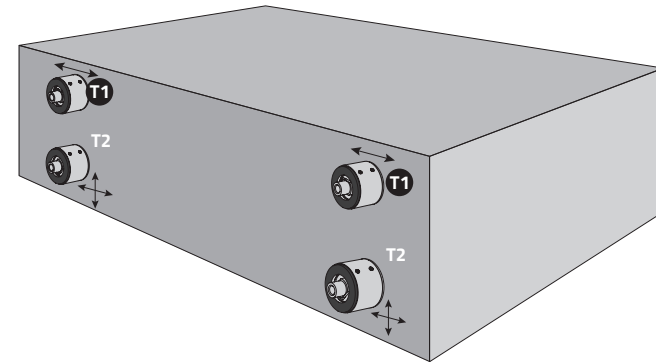
Plugs can be adjusted using the $\varnothing 13 \times 30$ mm oblong.



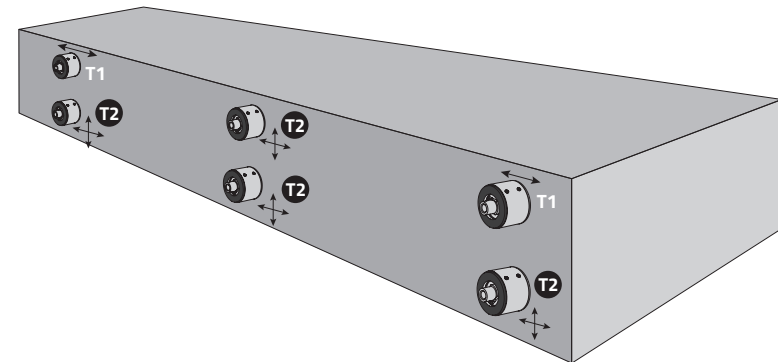
4 - Adjust the alignment of the plugs using the slots and tighten to the torque recommended by the fixing supplier according to the nature of the support.

B BODY ADJUSTMENT

4 point composition



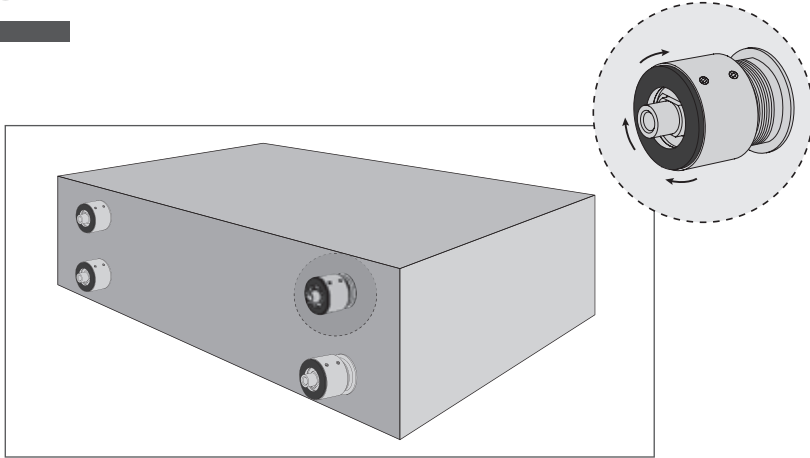
6 point composition



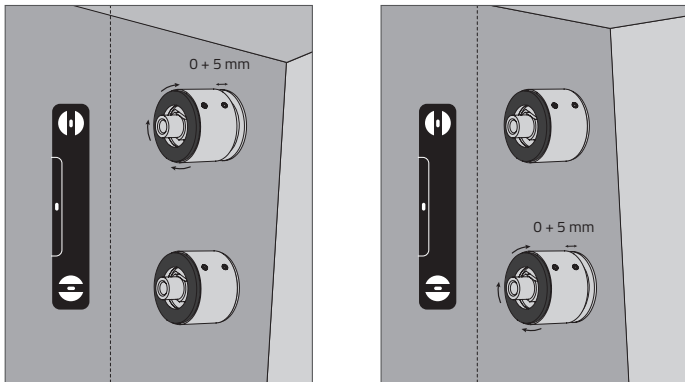
T1 - Upper points located closest to the vertical edges of the glass panel.

T2 - Points that have multi-directional adjustment (horizontal and vertical). They will remain free and unobstructed.

B BODY ADJUSTMENT



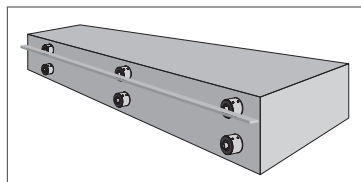
1 - Screw the point body onto the plug.



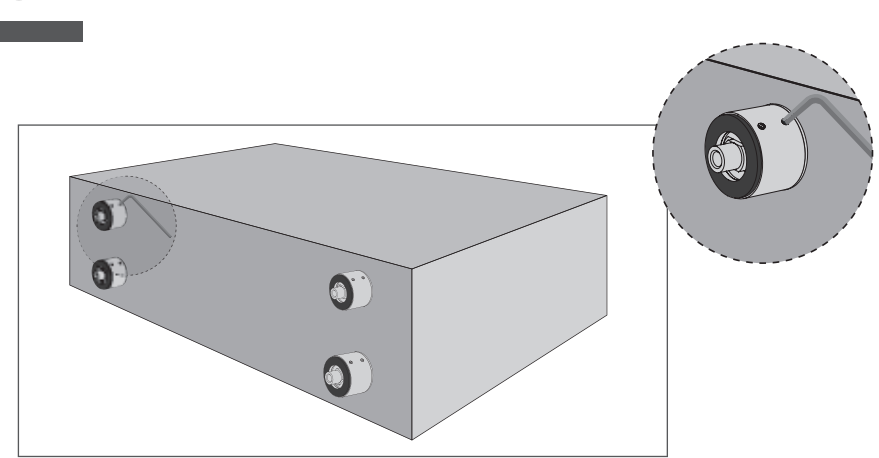
2 - Screw or unscrew to adjust the verticality of the bodies according to the deformation of the support.



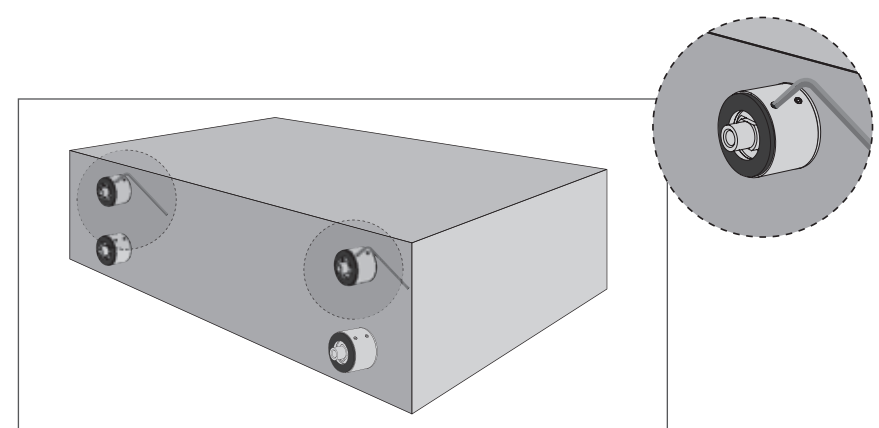
When you are on a composition of at least six points, adjust the depth of the top 3 points.



B BODY ADJUSTMENT



3 - Lock the depth adjustment at the plug with the screw and the 2.5 mm Allen key.



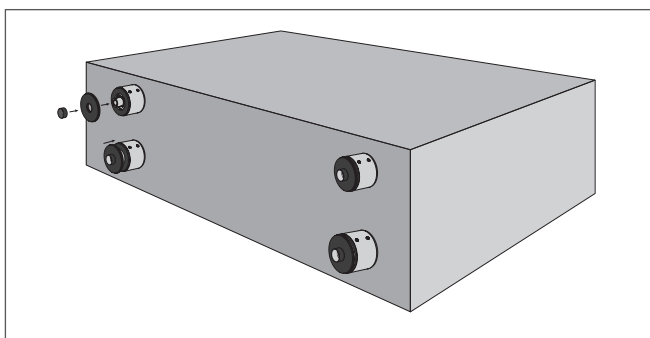
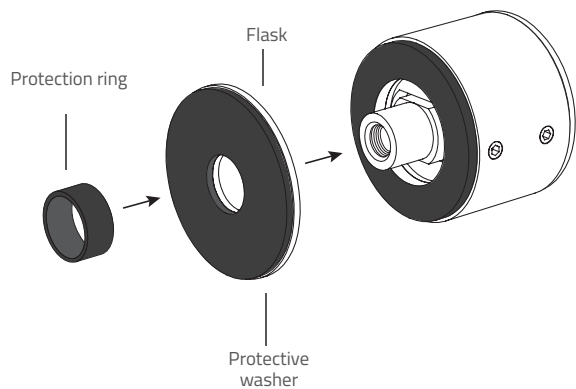
4 - **Check the centre distance and readjust it if necessary.**

For points located in T1 :

Align the oblongs horizontally and lock the points using the 2 front screws and the 2.5 mm hexagonal key.

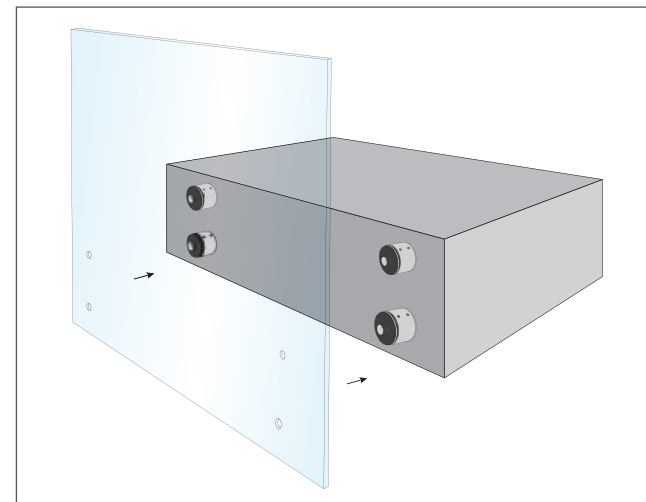
The points located in T2 will not be locked.

C INSTALLATION OF PROTECTIONS

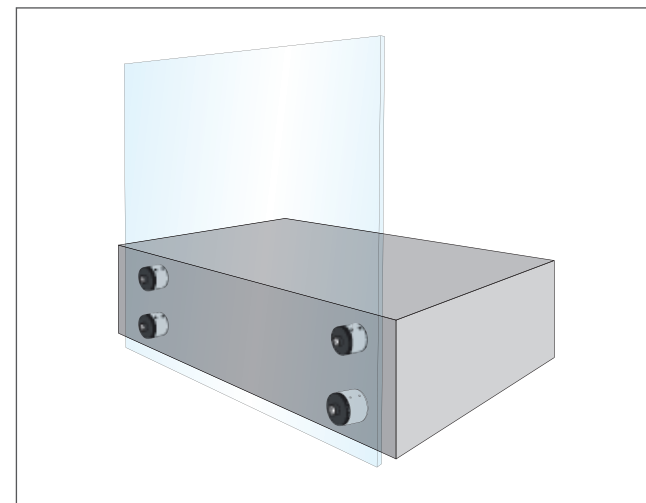


1 - Install the washer and the protective ring.

D INSTALL THE GLASS PANEL

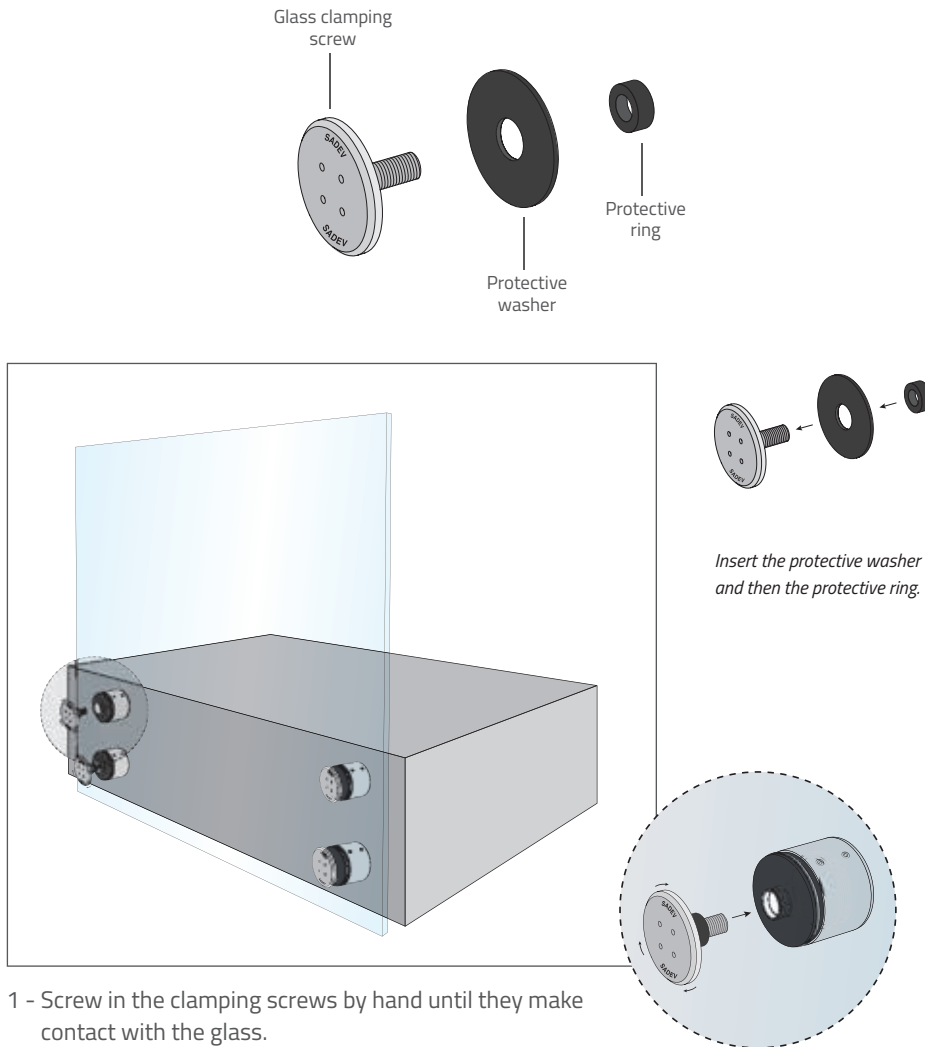


1 - Install the glass panel

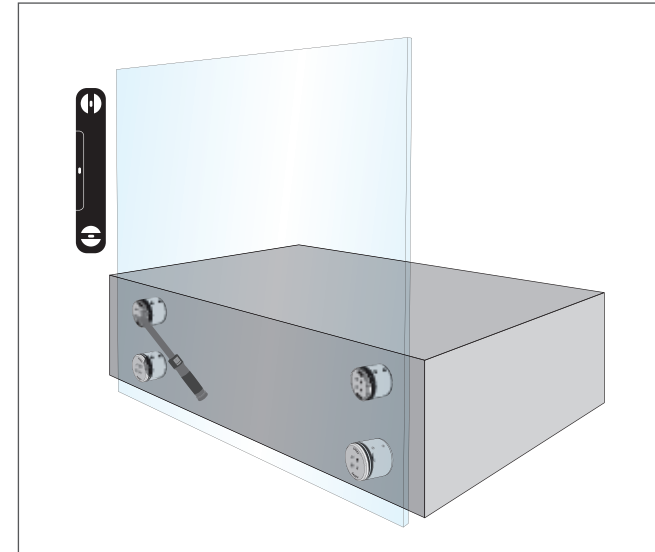


The eccentric system allows the glass to be mounted by aligning the wall points.

E TIGHTENING THE CLAMPING SCREWS



E TIGHTENING THE CLAMPING SCREWS



SABCO[®]
BALUSTRADE SYSTEM



ASSEMBLY GUIDE SLAB NOSE RAILING

Available on [sadev.com](https://www.sadev.com) 



We Build the Invisible

76 Chemin des Poses | 74330 POISY | FRANCE |
Tél. : +33 (0)4 50 08 39 00 | info@sadev.com | www.sadev.com